

Solid biofuels — Fuel specifications and classes — Part 8: Graded thermally treated and densified biomass fuels

ISO/TS

Warning

This document is not an ISO International Standard. It is distributed for review and comment. It is subject to change without notice and may not be referred to as an International Standard.

Recipients of this draft are invited to submit, with their comments, notification of any relevant patent rights of which they are aware and to provide supporting documentation.

© ISO 2014

All rights reserved. Unless otherwise specified, no part of this publication may be reproduced or utilized otherwise in any form or by any means, electronic or mechanical, including photocopying, or posting on the internet or an intranet, without prior written permission. Permission can be requested from either ISO at the address below or ISO's member body in the country of the requester.

ISO copyright office
Case postale 56 • CH-1211 Geneva 20
Tel. + 41 22 749 01 11
Fax + 41 22 749 09 47
E-mail copyright@iso.org
Web www.iso.org

Published in Switzerland.

Contents

Foreword.....	iv
Introduction.....	v
1 Scope	1
2 Normative references	1
3 Terms and definitions	2
4 Symbols and abbreviations	3
5 Specification of graded pellets produced by thermal processing	3
6 Specification of graded briquettes produced by thermal processing	7
Bibliography	11

Foreword

ISO (the International Organization for Standardization) is a worldwide federation of national standards bodies (ISO member bodies). The work of preparing International Standards is normally carried out through ISO technical committees. Each member body interested in a subject for which a technical committee has been established has the right to be represented on that committee. International organizations, governmental and non-governmental, in liaison with ISO, also take part in the work. ISO collaborates closely with the International Electrotechnical Commission (IEC) on all matters of electrotechnical standardization.

The procedures used to develop this document and those intended for its further maintenance are described in the ISO/IEC Directives, Part 1. In particular the different approval criteria needed for the different types of ISO documents should be noted. This document was drafted in accordance with the editorial rules of the ISO/IEC Directives, Part 2. www.iso.org/directives

Attention is drawn to the possibility that some of the elements of this document may be the subject of patent rights. ISO shall not be held responsible for identifying any or all such patent rights. Details of any patent rights identified during the development of the document will be in the Introduction and/or on the ISO list of patent declarations received. www.iso.org/patents

Any trade name used in this document is information given for the convenience of users and does not constitute an endorsement.

For an explanation on the meaning of ISO specific terms and expressions related to conformity assessment, as well as information about ISO's adherence to the WTO principles in the Technical Barriers to Trade (TBT) see the following URL: [Foreword - Supplementary information](#)

The committee responsible for this document is ISO/TC 238, *Solid biofuels*.

ISO 17225 consists of the following parts, under the general title *Solid biofuels — Fuel specifications and classes*:

- *Part 1: General requirements*
- *Part 2: Graded wood pellets*
- *Part 3: Graded wood briquettes*
- *Part 4: Graded wood chips*
- *Part 5: Graded firewood*
- *Part 6: Graded non-woody pellets*
- *Part 7: Graded non-woody briquettes*
- *Part 8: Graded thermally treated and densified biomass fuels*

Introduction

The objective of this International Technical Specification is to provide unambiguous and clear classification principles for solid biofuels; to serve as a tool to enable efficient trading of biofuels; to enable good understanding between seller and buyer as well as a tool for communication with equipment manufacturers. It will also facilitate authority permission procedures and reporting.

This Technical Specification supports the use of thermally treated and densified biomass for household, small commercial, public building as well as industrial energy generation applications, which require classified quality.

Thermal treatment includes processes such as torrefaction, steam treatment (explosion pulping), hydrothermal carbonization and charring, all of which represent different exposure to heat, oxygen, steam or water. Thermally treated and densified biomass fuels should only be used in appliances with manufacturer approval.

The household, small commercial and public building applications require specified quality fuel for the following reasons:

- Small-scale equipment does not usually have advanced controls and flue gas cleaning
- Appliances are not generally managed by professional heating engineers or trained plant operators
- Appliances are often located in living and populated districts

NOTE 1 Pellets produced according to this Technical Specification may be used in pellet stoves, which are tested according to European Standard EN 14785^[1], pellet burners tested according to EN 15270^[2] and pellet boilers or integrated-pellet burner systems tested according to EN 303-5^[3]. It is recommended that stove manufacturers test these products prior to authorizing their use.

NOTE 2 For individual contracts ISO 17225-1 should be used. ISO 17225-1 can be used for specification of undensified thermally treated material and charcoal.

Solid biofuels — Fuel specifications and classes — Part 8: Graded thermally treated and densified biomass fuels

1 Scope

This International Technical Specification determines the fuel quality classes and specifications of graded densified solid biofuels produced from thermally treated biomass for non-industrial and industrial use. This International Technical Specification covers pellets and briquettes produced from the following raw materials (see ISO 17225-1, Table 1):

- 1.1 Forest, plantation and other virgin wood
- 1.2 By-products and residues from wood processing industry
- 1.3.1 Chemically untreated used wood
- 2. Herbaceous biomass
- 3. Fruit biomass
- 4. Aquatic biomass

Subcategories of the above stated raw materials are included.

This ISO Technical Specification does not consider products, which are marketed as charcoal or as charcoal products. For these products ISO 17225-1 (Table 14) shall apply.

NOTE 1 For thermally treated powder Table 15 or Table 16 in ISO 17225-1 may be used for specification.

NOTE 2 Health, safety and environmental issues for solid biofuels are important and need special attention; however they are outside the scope of this International Technical Specification.

2 Normative references

The following documents, in whole or in part, are normatively referenced in this document and are indispensable for its application. For dated references, only the edition cited applies. For undated references, the latest edition of the referenced document (including any amendments) applies.

ISO 14780, *Solid biofuels — Sample preparation*¹⁾

ISO 16559, *Solid biofuels — Terminology, definition and description*

ISO 16948, *Solid biofuels — Determination of total content of carbon, hydrogen and nitrogen*

ISO 16968, *Solid biofuels — Determination of content of minor elements*

ISO 16994, *Solid biofuels — Determination of total content of sulphur and chlorine*

ISO 17225-1, *Solid biofuels — Fuel specification and classes — Part 1: General requirements*

ISO 17828, *Solid biofuels — Determination of bulk density*

ISO 17829, *Solid biofuels — Determination of length and diameter of pellets*

¹⁾ To be published.

ISO/TS 17225-8:2016

ISO 17831-1, *Solid biofuels — Determination of mechanical durability of pellets and briquettes — Part 1: Pellets*

ISO 18122, *Solid biofuels — Determination of ash content*

ISO 18123, *Solid biofuels — Determination of the content of volatile matter*

ISO 18125, *Solid biofuels — Determination of calorific value²⁾*

ISO 18134-1, *Solid biofuels — Determination of moisture content — Oven dry method — Part 1: Total moisture — Reference method*

ISO 18134-2, *Solid biofuels — Determination of moisture content — Oven dry method — Part 2: Total moisture — Simplified procedure*

ISO 18135, *Solid biofuels — Sampling³⁾*

ISO 18846, *Solid biofuels — Determination of fines content in quantities of pellets⁴⁾*

ISO 18847, *Solid biofuels — Determination of particle density of pellets and briquettes⁵⁾*

ISO 21404, *Solid biofuels — Method for the determination of ash melting behaviour⁶⁾*

3 Terms and definitions

For the purposes of this document, the terms and definitions given in ISO 16559 and the following apply.

3.1

pellets made by thermal processing

densified biofuel made from thermally treated solid biomass with or without additives usually with a cylindrical form, random length typically 5 to 40 mm, diameter up to 25 mm and broken ends

EXAMPLE torrefied biomass, steam exploded biomass, hydrothermally carbonized biomass, charred biomass

Note 1 to entry: Drying is not considered thermal treatment in this definition.

Note 2 to entry: Fuel pellets which are produced by applying the thermal treatment after compaction are also included in this definition.

3.2

briquettes made by thermal processing

densified biofuel made with or without additives in form of cubiform, polyhedral, polyhydric or cylindrical units with diameter of more than 25 mm produced by compressing thermally treated solid biomass

EXAMPLE torrefied biomass, steam exploded biomass, hydrothermally carbonized biomass, charred biomass

Note 1 to entry: Drying is not considered thermal treatment in this definition.

2) To be published.

3) To be published.

4) To be published.

5) To be published.

6) To be published.

Note 2 to entry: Fuel briquettes which are produced by applying the thermal treatment after compaction are also included in this definition.

3.3

commercial application

facility that utilizes solid biofuel burning appliances or equipment that have similar fuel requirements as residential appliances

Note 1 to entry: Commercial applications should not be confused with industrial applications, which can utilize a much wider array of materials and may have somewhat different fuel requirements.

[SOURCE: ISO 17225-1:2014]

4 Symbols and abbreviations

The symbols and abbreviated terms used in this part of ISO 17225 comply with the SI system of units as far as possible.

<i>d</i>	dry (dry basis)
<i>ar</i>	as received
w-%	weight-percentage
A	Designation for ash content on dry basis, A_d [w-%]
BD	Designation for bulk density as received [kg/m ³]
D	Designation for diameter as received, D [mm]
DE	Designation for particle density as received, DE [g/cm ³]
DU	Designation for mechanical durability as received [w-%]
F	Designation for amount of fines as received [w-%, particles less than 3,15 mm]
L	Designation for length as received, L [mm]
M	Designation for moisture content as received on wet basis, M_{ar} [w-%]
Q_d	Designation for net calorific value on dry basis, $q_{p,net,d}$ [MJ/kg or kWh/kg or MWh/t] at constant pressure
VM	Designation for content of volatile matter on dry basis [w-%]

NOTE 1 1 MJ/kg equals 0,2778 kWh/kg (1 kWh/kg equals 1 MWh/t and 1 MWh/t is 3,6 MJ/kg). 1 g/cm³ equals 1 kg/dm³. 1 mg/kg equals 0,000 1 % or 1 ppm.

NOTE 2 Designation symbols are used in combination with a number to specify property levels in Table 1 to Table 4. For designation of chemical properties, chemical symbols like S (sulfur), Cl (chlorine), N (nitrogen) are used and the property class is added at the end of the symbol.

5 Specification of graded pellets produced by thermal processing

The specification of thermally treated pellets is stated in accordance with Tables 1, 2 and Figure 1. The sampling and analysis of the properties shall be carried out in accordance with the methods mentioned in the normative references.

Property classes TW1H, TW1L, TW2H, TW2L, TW3H and TW3L⁷⁾ represent virgin woods and chemically untreated wood residues. In Table 1, TW1H and TW1L represents fuels which are low in ash and nitrogen content, while class TW2H and TW2L has slightly higher ash and TW3H and TW3L higher

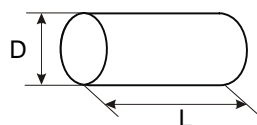
⁷⁾ TW = property class for thermally treated woody biomass, H= $Q_d \geq 21,0$ MJ/kg and L= $Q_d < 21,0$ MJ/kg.

ash and nitrogen content. Property classes TA1, TA2 and TA3⁸⁾ represent non-woody, chemically untreated herbaceous, fruit and aquatic biomass. TA1, TA2 and TA3 differ in regard to ash, nitrogen and chlorine content.

Note The TW1H and TW1L property classes may be used as fuel in residential and other small-scale combustion equipment, if approved by the manufacturer of the equipment. TA property classes are mainly to be used in industrial applications.

Chemically treated by-products and residues from wood processing industry (class 1.2.2 in ISO 17225-1 Table 1) and chemically untreated used wood (class 1.3.1 in ISO 17225-1 Table 1) are included in classes TW2H, TW2L, TW3H and TW3L as long as they do not contain heavy metals or halogenated organic compounds more than typical virgin material values or typical values of country of origin, unless specified in Annex B in ISO 17225-1. Chemically treated used wood (class 1.3.2 in ISO 17225-1 Table 1) is not included. In case of raw materials belonging to 1.2.2 (chemically treated wood according to ISO 17225-1 Table 1) the actual origin of the raw material shall be closely described, e.g. 1.2.2 in ISO 17225-1 Table 1, Residues from laminated wood production.

EXAMPLE Pellets of classes TW2H, TW2L, TW3H and TW3L may be made of 99 w-% sawdust from spruce (class 1.2.1.4 in ISO 17225-1 Table 1) and may contain up to 1 w-% glued wood from wood beam production (amount of glue < 0,1 w-% in glued wood).



Key

D Diameter *L* Length

Figure 1 – Dimension of pellets

If data for chemical or physical properties are available, further analysis may not be required.

To ensure resources are used appropriately and the declaration is accurate, use the most appropriate measure below:

- 1) using previous measured values or obtained by experience of same raw material;
- 2) calculation of properties, e.g. by using typical values and considering generally accepted and documented specific values;
- 3) carrying out of analysis:
 - a) with simplified methods if available,
 - b) with reference methods.

The responsibility of the producer or supplier to provide correct and accurate information is exactly the same whether laboratory analysis is performed or not. Typical values do not release the producer or supplier from providing accurate and reliable information.

The quality shall be given either in the product declaration or by a corresponding label on the package.

NOTE Specifications of other properties such as grindability, water absorptivity and self-heating may be added into the future version of ISO 17225-8, when methods are developed.

⁸⁾ TA = property class for thermally treated non-woody biomass (e.g. agrobiomass)

Table 1 — Specification of graded pellets produced by thermal processing of woody biomass

Property class, Analysis method	Unit	TW1H	TW1L	TW2H	TW2L	TW3H	TW3L
Normative							
Origin and source , ISO 17225-1 Table 1		1.1.1 Whole trees without roots 1.1.3 Stemwood 1.1.4 Logging residues 1.2.1 Chemically untreated wood by-products and residues ^a		1.1 Forest, plantation and other virgin wood 1.2 By-products and residues from wood processing industry 1.3.1 Chemically untreated used wood		1.1 Forest, plantation and other virgin wood 1.2 By-products and residues from wood processing industry 1.3.1 Chemically untreated used wood	
Diameter, D^b and Length L^c ISO 17829 According to Figure 1	mm	D06, 6 ± 1; D08, 8 ± 1; 3,15 ≤ L ≤ 40		D06 to D25, D ± 1; 3,15 ≤ L ≤ 40 (from D06 to D10) 3,15 ≤ L ≤ 50 (from D12 to D25)		D06 to D25, D ± 1; 3,15 ≤ L ≤ 40 (from D06 to D10) 3,15 ≤ L ≤ 50 (from D12 to D25)	
Moisture, M^d , ISO 18134-1, ISO 18134-2	w-% as received, wet basis	M08 ≤ 8	M10 ≤ 10	M08 ≤ 8	M10 ≤ 10	M10 ≤ 10	
Ash, A , ISO 18122	w-% dry	A1.2 ≤ 1,2		A3.0 ≤ 3,0		A5.0 ≤ 5,0	
Mechanical durability, DU , ISO 17831-1	w-% as received	DU97.5 ≥ 97,5		DU96.0 ≥ 96,0		DU95.0 ≥ 95,0	
Fines, F^e , ISO 18846	w-% as received	F2.0 ≤ 2,0	F1.0 ≤ 1,0	F4.0 ≤ 4,0	F2.0 ≤ 2,0	F6.0 ≤ 6,0	F3.0 ≤ 3,0
Additives^f	w-% dry	≤ 4, Type and amount to be stated		Type and amount to be stated		Type and amount to be stated	
Net calorific value, Q_d^g , ISO 18125	MJ/kg or kWh/kg dry basis	Q _d ≥ 21,0 Q _d ≥ 5,8	Q _d < 21,0 Q _d < 5,8	Q _d ≥ 21,0 Q _d ≥ 5,8	Q _d < 21,0 Q _d < 5,8	Q _d ≥ 21,0 Q _d ≥ 5,8	Q _d < 21,0 Q _d < 5,8
Bulk density, BD , ISO 17828	kg/m ³ as received	BD650 ≥ 650	BD700 ≥ 700	BD650 ≥ 650		BD550 ≥ 550	
Carbon, C , ISO 16948	w-% dry	Value to be stated		Value to be stated		Value to be stated	
Nitrogen, N , ISO 16948	w-% dry	N0.4 ≤ 0,4		N0.4 ≤ 0,4		N1.0 ≤ 1,0	
Sulphur, S , ISO 16994	w-% dry	S0.04 ≤ 0,04		S0.05 ≤ 0,05		S0.1 ≤ 0,1	
Chlorine, Cl , ISO 16994	w-% dry	Cl0.03 ≤ 0,03		Cl0.05 ≤ 0,05		Cl0.1 ≤ 0,1	
Arsenic, As , ISO 16968	mg/kg dry	≤ 1		≤ 2		≤ 2	
Cadmium, Cd , ISO 16968	mg/kg dry	≤ 0,5		≤ 1		≤ 2	
Chromium, Cr , ISO 16968	mg/kg dry	≤ 10		≤ 15		≤ 15	
Copper, Cu , ISO 16968	mg/kg dry	≤ 10		≤ 20		≤ 20	
Lead, Pb , ISO 16968	mg/kg dry	≤ 10		≤ 10		≤ 10	
Mercury, Hg , ISO 16968	mg/kg dry	≤ 0,1		≤ 0,1		≤ 0,1	
Nickel, Ni , ISO 16968	mg/kg dry	≤ 10		≤ 10		≤ 10	
Zinc, Zn , ISO 16968	mg/kg dry	≤ 100		≤ 100		≤ 100	
Volatile matter, VM , ISO 18123	w-% dry	Value to be stated		Value to be stated		Value to be stated	
Informative							
Ash melting behaviour^h , ISO 21404	°C	To be stated		To be stated		To be stated	
<p>^a Negligible levels of glue, grease and other timber production additives (< 1 w-%) used in sawmills during production of timber and timber product from virgin wood are acceptable if all chemical parameters of the pellets are clearly within the limits and/or concentrations are too small to be concerned with.</p> <p>^b Selected size D06 or D08 of pellets to be stated for TW1H and TW1L.</p> <p>^c For D06 to D10 the amount of pellets longer than 40 mm can be 1 w-%. Maximum length shall be ≤ 45 mm.</p> <p>^d At the point of delivery.</p> <p>^e At the point of delivery. Fines less than 3,15 mm are screened by hand according to standard ISO 18846.</p> <p>^f Type of additives to aid production, delivery or combustion (e.g. pressing aids, slagging inhibitors or any other additives like starch, corn flour, potato flour, vegetable oil, lignin ...).</p> <p>^g Net calorific value as received (Q) resulting from net calorific value on dry basis 21,00 MJ/kg and moisture content (M) 8% is 19,13 MJ/kg (5,3 kWh/kg) and by 10 % moisture content (M) is 18,65 MJ/kg (5,2 kWh/kg).</p> <p>^h All characteristic temperatures (shrinkage starting temperature (SST), deformation temperature (DT), hemisphere temperature (HT) and flow temperature (FT)) in oxidizing conditions should be stated.</p>							

Table 2 — Specification of graded pellets produced by thermal processing of non-woody biomass

Property class, Analysis method	Unit	TA1	TA2	TA3
Normative				
Origin and source , ISO 17225-1 Table 1		2. 1 Herbaceous biomass from agriculture and horticulture 2.2.1 By-products and residues from food and herbaceous processing industry, chemically untreated herbaceous residues 3.1 Orchard and horticulture fruit 3.2.1 By-products and residues from food and fruit processing industry, chemically untreated fruit residues 4. Aquatic biomass	2. Herbaceous biomass 3. Fruit biomass 4. Aquatic biomass	2. Herbaceous biomass 3. Fruit biomass 4. Aquatic biomass
Diameter, D^a and Length L^b ISO 17829 In accordance with Figure 1	mm	D06 to D25, $D \pm 1$; 3,15 < L ≤ 40 (from D06 to D10) 3,15 < L ≤ 50 (from D12 to D25)	D06 to D25, $D \pm 1$; 3,15 < L ≤ 40 (from D06 to D10) 3,15 < L ≤ 50 (from D12 to D25)	D06 to D25, $D \pm 1$; 3,15 < L ≤ 40 (from D06 to D10) 3,15 < L ≤ 50 (from D12 to D25)
Moisture, M^c , ISO 18134-1, ISO 18134-2	w-% as received wet basis	M10 ≤ 10	M10 ≤ 10	M10 ≤ 10
Ash, A , ISO 18122	w-% dry	A5.0 ≤ 5,0	A10.0 ≤ 10,0	Value to be stated
Mechanical durability, DU , ISO 17831-1	w-% as received	DU97.5 ≥ 97,5	DU96.5 ≥ 96,5	DU95.0 ≥ 95,0
Fines, F^d , ISO 18846	w-% as received	F2.0 ≤ 2,0	F2.0 ≤ 2,0	F3.0 ≤ 3,0
Additives^e	w-% dry	Type and amount to be stated	Type and amount to be stated	Type and amount to be stated
Net calorific value, Q , ISO 18125	MJ/kg or kWh/kg as received	Q18 ≥ 18 or Q5.0 ≥ 5,0 Value to be stated	Q17 ≥ 17 or Q4.7 ≥ 4,7 Value to be stated	Value to be stated
Bulk density, BD , ISO 17828	kg/m ³ as received	BD600 ≥ 600	BD600 ≥ 600	BD550 ≥ 550
Carbon, C , ISO 16948	w-% dry	Value to be stated	Value to be stated	Value to be stated
Nitrogen, N , ISO 16948	w-% dry	N1.5 ≤ 1,5	N2.0 ≤ 2,0	N2.5 ≤ 2,5
Sulfur, S , ISO 16994	w-% dry	S0.1 ≤ 0,1	S0.2 ≤ 0,2	S0.3 ≤ 0,3
Chlorine, Cl , ISO 16994	w-% dry	Cl0.1 ≤ 0,1	Cl0.2 ≤ 0,2	Cl0.3 ≤ 0,3
Arsenic, As , ISO 16968	mg/kg dry	≤ 2	≤ 2	Value to be stated
Cadmium, Cd , ISO 16968	mg/kg dry	≤ 1	≤ 1	Value to be stated
Chromium, Cr , ISO 16968	mg/kg dry	≤ 50	≤ 50	Value to be stated
Copper, Cu , ISO 16968	mg/kg dry	≤ 20	≤ 20	Value to be stated
Lead, Pb , ISO 16968	mg/kg dry	≤ 10	≤ 10	Value to be stated
Mercury, Hg , ISO 16968	mg/kg dry	< 0,1	< 0,1	Value to be stated
Nickel, Ni , ISO 16968	mg/kg dry	≤ 10	≤ 10	Value to be stated
Zinc, Zn , ISO 16968	mg/kg dry	≤ 200	≤ 200	Value to be stated
Volatile matter, VM , ISO 18123	w-% dry	Value to be stated	Value to be stated	Value to be stated
Informative				
Ash melting behaviour^f , ISO 21404	°C	Should be stated	Should be stated	Should be stated
<p>^a Selected size of pellets to be stated. Examples D06, D08, D10, D25.</p> <p>^b For D06 to D10 the amount of pellets longer than 40 mm can be 1 w-%. Maximum length shall be ≤ 45 mm.</p> <p>^c At the point of delivery.</p> <p>^d At the point of delivery. Fines less than 3,15 mm are screened by hand according standard ISO 18846.</p> <p>^e Type of additives to aid production, delivery or combustion (e.g. pressing aids, slugging inhibitors or any other additives like starch, corn flour, potato flour, vegetable oil, lignin ...).</p> <p>^f All characteristic temperatures (shrinkage starting temperature (SST), deformation temperature (DT), hemisphere temperature (HT) and flow temperature (FT)) in oxidizing conditions should be stated.</p>				

6 Specification of graded briquettes produced by thermal processing

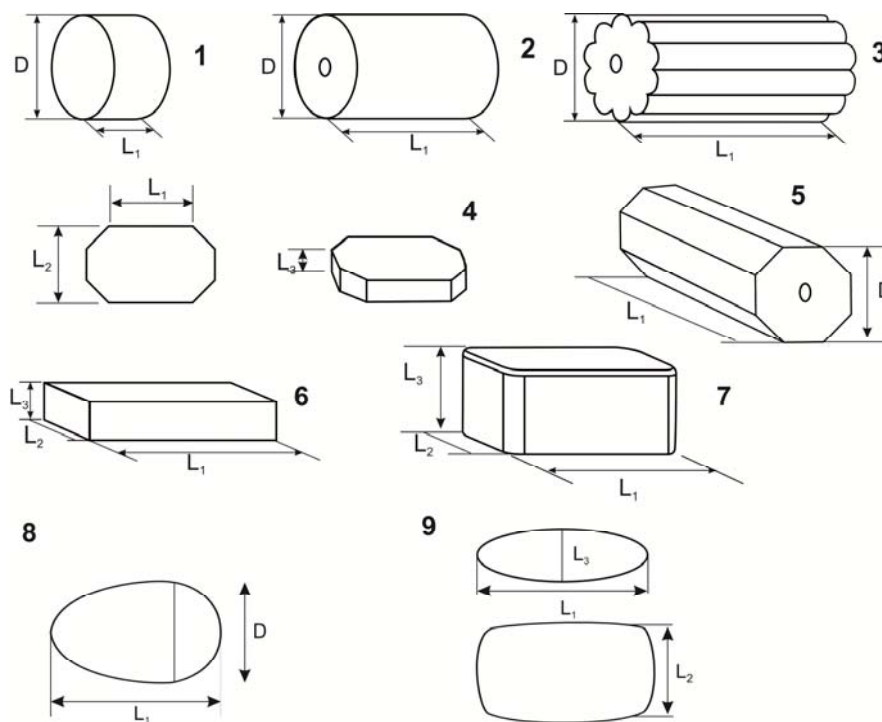
The specification of thermally treated briquettes is stated in accordance with Tables 3, 4 and Figure 2. The sampling and analysis of the properties shall be carried out in accordance with the methods mentioned in the normative references.

Property classes TW1H, TW1L, TW2H, TW2L, TW3H and TW3L represent virgin woods and chemically untreated wood residues. In Table 3, TW1H and TW1L represent fuels which are low in ash and nitrogen content, while classes TW2H and TW2L has slightly higher ash and TW3H and TW3L higher ash and nitrogen content. Property classes TA1, TA2 and TA3 represent non-woody, chemically untreated herbaceous, fruit and aquatic biomass. TA1, TA2 and TA3 differ in regard to ash, nitrogen and chlorine content.

Note The TW1H and TW1L property classes may be used as fuel in residential and other small-scale combustion equipment, if approved by the manufacturer of the equipment. TA property classes are mainly to be used in industrial applications.

Chemically treated residues from wood processing industries and chemically untreated used wood (class 1.3.1 in ISO 17225-1 Table 1) are included in classes TW2H, TW2L, TW3H and TW3L as long as they do not contain heavy metals or halogenated organic compounds more than typical virgin material values or typical values of country of origin, unless specified in Annex B in ISO 17225-1. Chemically treated used wood (class 1.3.2 in ISO 17225-1 Table 1) is not included. In case of raw materials belonging to class 1.2.2 (chemically treated wood according to ISO 17225-1 Table 1) the actual origin of the raw material shall be closer described, e.g. class 1.2.2 in ISO 17225-1 Table 1, Residues from laminated wood production.

EXAMPLE 99 w-% sawdust from spruce class 1.2.1.2 in ISO 17225-1 Table 1, 1 w-% glued wood from wood beam production (amount of glue < 0,1 w-% in glued wood).



Key

D Diameter, L_1 Length, L_2 Width, L_3 is Height

Figure 2 – Examples of briquette shapes with associated dimensions

ISO/TS 17225-8:2016

If data for chemical or physical properties are available, further analysis may not be required.

To ensure resources are used appropriately and the declaration is accurate, use the most appropriate measure below:

- 1) using previous measured values or obtained by experience of same raw material;
- 2) calculation of properties, e.g. by using typical values and considering generally accepted and documented specific values;
- 3) carrying out of analysis:
 - a) with simplified methods if available,
 - b) with reference methods.

The responsibility of the producer or supplier to provide correct and accurate information is exactly the same whether laboratory analysis is performed or not. Typical values do not release the producer or supplier from providing accurate and reliable information.

The quality shall be given either in the product declaration or by a corresponding label on the package.

NOTE Specifications of other properties such as grindability, water absorptivity and self-heating may be added into the future version of ISO 17225-8, when methods are developed.

Table 3 — Specification of graded briquettes produced by thermal processing of woody biomass

Property class, Analysis method	Unit	TW1H	TW1L	TW2H	TW2L	TW3H	TW3L
Normative							
Origin and source , ISO 17225-1 Table 1		1.1.1 Whole trees without roots 1.1.3 Stemwood 1.1.4 Logging residues 1.2.1 Chemically untreated wood by-products and residues ^a		1.1 Forest, plantation and other virgin wood 1.2 By-products and residues from wood processing industry 1.3.1 Chemically untreated used wood		1.1 Forest, plantation and other virgin wood 1.2 By-products and residues from wood processing industry 1.3.1 Chemically untreated used wood	
Diameter, D and Length L In accordance with Figure 2	mm	Diameter and length to be stated		Diameter and length to be stated		Diameter and length to be stated	
Moisture, M ^b , ISO 18134-1, ISO 18134-2	w-% as received, wet basis	M10 ≤ 10		M10 ≤ 10		M10 ≤ 10	
Ash, A , ISO 18122	w-% dry	A1.2 ≤ 1,2		A3.0 ≤ 3,0		A5.0 ≤ 5,0	
Additives ^c	w-% dry	≤ 4, Type and amount to be stated		Type and amount to be stated		Type and amount to be stated	
Net calorific value, Q_d ^d , ISO 18125	MJ/kg or kWh/kg dry basis	Q _d ≥ 21,0 Q _d ≥ 5,8	Q _d < 21,0 Q _d < 5,8	Q _d ≥ 21,0 Q _d ≥ 5,8	Q _d < 21,0 Q _d < 5,8	Q _d ≥ 21,0 Q _d ≥ 5,8	Q _d < 21,0 Q _d < 5,8
Particle density, DE , ISO 18847	g/cm ³ as received	DE 1.0 ≥ 1.0		Not applicable		Not applicable	
Carbon, C , ISO 16948	w-% dry	Value to be stated		Value to be stated		Value to be stated	
Nitrogen, N , ISO 16948	w-% dry	N0.4 ≤ 0,4		N0.4 ≤ 0,4		N1.0 ≤ 1,0	
Sulphur, S , ISO 16994	w-% dry	S0.04 ≤ 0,04		S0.05 ≤ 0,05		S0.1 ≤ 0,1	
Chlorine, Cl , ISO 16994	w-% dry	Cl0.03 ≤ 0,03		Cl0.05 ≤ 0,05		Cl0.1 ≤ 0,1	
Arsenic, As , ISO 16968	mg/kg dry	≤ 1		≤ 2		≤ 2	
Cadmium, Cd , ISO 16968	mg/kg dry	≤ 0,5		≤ 1		≤ 2	
Chromium, Cr , ISO 16968	mg/kg dry	≤ 10		≤ 15		≤ 15	
Copper, Cu , ISO 16968	mg/kg dry	≤ 10		≤ 20		≤ 20	
Lead, Pb , ISO 16968	mg/kg dry	≤ 10		≤ 10		≤ 10	
Mercury, Hg , ISO 16968	mg/kg dry	< 0,1		< 0,1		< 0,1	
Nickel, Ni , ISO 16968	mg/kg dry	≤ 10		≤ 10		≤ 10	
Zinc, Zn , ISO 16968	mg/kg dry	≤ 100		≤ 100		≤ 100	
Volatile matter, VM , ISO 18123	w-% dry	Value to be stated		Value to be stated		Value to be stated	
Informative							
Bulk density, BD ^e , ISO 17828	kg/m ³	BD650 ≥ 650		BD650 ≥ 650		BD650 ≥ 650	
Ash melting behaviour ^h , ISO 21404	°C	To be stated		To be stated		To be stated	
<p>^a Negligible levels of glue, grease and other timber production additives (< 1 w-%) used in sawmills during production of timber and timber product from virgin wood are acceptable if all chemical parameters of the pellets are clearly within the limits and/or concentrations are too small to be concerned with.</p> <p>^b At the point of delivery.</p> <p>^c Type of additives to aid production, delivery or combustion (e.g. pressing aids, slagging inhibitors or any other additives like starch, corn flour, potato flour, vegetable oil, lignin ...).</p> <p>^d Net calorific value as received (Q) resulting from net calorific value on dry basis 21,00 MJ/kg and 10 % moisture content (M) is 18,65 MJ/kg (5,2 kWh/kg).</p> <p>^e Bulk density should be given for bulk material. For briquettes used in applications with manually fuel feed particle density is the appropriate parameter.</p> <p>^f All characteristic temperatures (shrinkage starting temperature (SST), deformation temperature (DT), hemisphere temperature (HT) and flow temperature (FT)) in oxidizing conditions should be stated.</p>							

Table 4 — Specification of graded briquettes produced by thermal processing of non-woody biomass

Property class, Analysis method	Unit	TA1	TA2	TA3
Normative				
Origin and source , ISO 17225-1 Table 1		2. Herbaceous biomass 3. Fruit biomass 4. Aquatic biomass	2. Herbaceous biomass 3. Fruit biomass 4. Aquatic biomass	2. Herbaceous biomass 3. Fruit biomass 4. Aquatic biomass
Diameter, D and Length L In accordance with Figure 2	mm	Diameter and length to be stated	Diameter and length to be stated	Diameter and length to be stated
Moisture, M^a , ISO 18134-1, ISO 18134-2	w-% as received wet basis	M10 ≤ 10	M10 ≤ 10	M10 ≤ 10
Ash, A , ISO 18122	w-% dry	A5.0 ≤ 5,0	A10.0 ≤ 10,0	Value to be stated
Additives^b	w-% dry	Type and amount to be stated	Type and amount to be stated	Type and amount to be stated
Net calorific value, Q , ISO 18125	MJ/kg or kWh/kg as received	Q18 ≥ 18 or Q5.0 ≥ 5,0 Value to be stated	Q17 ≥ 17 or Q4.7 ≥ 4,7 Value to be stated	Value to be stated
Particle density, DE , ISO 18847	g/cm ³ as received	DE 1.0 ≥ 1.0	Not applicable	Not applicable
Carbon, C , ISO 16948	w-% dry	Value to be stated	Value to be stated	Value to be stated
Nitrogen, N , ISO 16948	w-% dry	N1.5 ≤ 1,5	N2.0 ≤ 2,0	N2.5 ≤ 2,5
Sulfur, S , ISO 16994	w-% dry	S0.1 ≤ 0,1	S0.2 ≤ 0,2	S0.3 ≤ 0,3
Chlorine, Cl , ISO 16994	w-% dry	Cl0.1 ≤ 0,1	Cl0.2 ≤ 0,2	Cl0.3 ≤ 0,3
Arsenic, As , ISO 16968	mg/kg dry	≤ 2	≤ 2	Value to be stated
Cadmium, Cd , ISO 16968	mg/kg dry	≤ 1	≤ 1	Value to be stated
Chromium, Cr , ISO 16968	mg/kg dry	≤ 50	≤ 50	Value to be stated
Copper, Cu , ISO 16968	mg/kg dry	≤ 20	≤ 20	Value to be stated
Lead, Pb , ISO 16968	mg/kg dry	≤ 10	≤ 10	Value to be stated
Mercury, Hg , ISO 16968	mg/kg dry	< 0,1	< 0,1	Value to be stated
Nickel, Ni , ISO 16968	mg/kg dry	≤ 10	≤ 10	Value to be stated
Zinc, Zn , ISO 16968	mg/kg dry	≤ 200	≤ 200	Value to be stated
Volatile matter, VM , ISO 18123	w-% dry	Value to be stated	Value to be stated	Value to be stated
Informative				
Bulk density, BD , ISO 17828	kg/m ³	BD600 ≥ 600	BD600 ≥ 600	BD600 ≥ 600
Ash melting behaviour^c , ISO 21404	°C	To be stated	To be stated	To be stated
<p>^a At the point of delivery.</p> <p>^b Type of additives to aid production, delivery or combustion (e.g. pressing aids, slagging inhibitors or any other additives like starch, corn flour, potato flour, vegetable oil, lignin ...).</p> <p>^c All characteristic temperatures (shrinkage starting temperature (SST), deformation temperature (DT), hemisphere temperature (HT) and flow temperature (FT)) in oxidizing conditions should be stated.</p>				

Bibliography

- [1] EN 14785:2006, *Residential space heating appliances fired by wood pellets - Requirements and test methods*
- [2] EN 15270:2007, *Pellet burners for small heating boilers – Definitions, requirements, testing, marking*
- [3] EN 303-5:2012, *Heating boilers. Part 5: Heating boilers for solid fuels, manually and automatically stoked, nominal heat output of up to 500 kW. Terminology, requirements, testing and marking*